

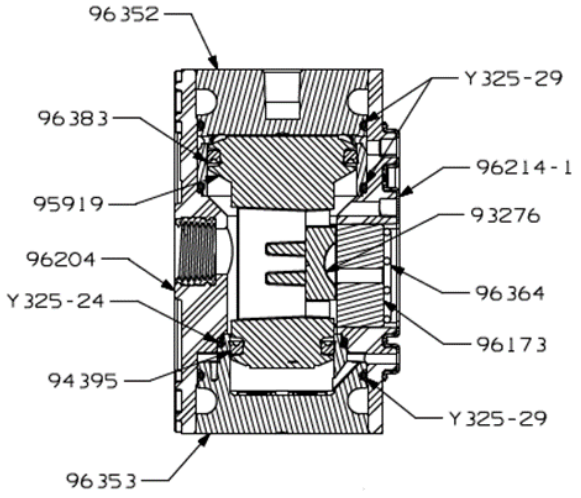
Major Valve Assembly for ARO Compact Series Diaphragm Pumps

PX03P-XXX-XXX-AXXX, PX05P-XXX-XXX-BXXX, PX05X-XXX-XXX-BXXX,
 66605X-X and PX07X-XXX-XXX pumps.

PX03P-XXX-XXX-A, PD05P-XXX-XXX-B & PD07P-XXX-XXX:

Use Major Valve Assembly 67422. Valve assembly kit includes the following:

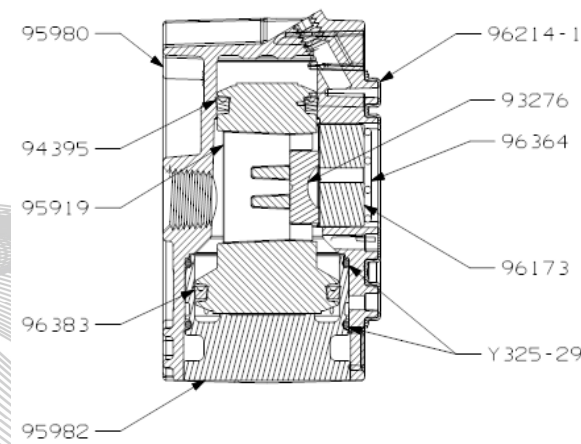
QTY	Part Number	Description
1	93276	Valve Insert
1	94395	U Cup Packing
1	95919	Major Valve Spool
1	96173	Valve Plate
1	96204	Valve Plate
1	96214-1	Gasket
1	96352	Large Plug
1	96353	Small Plug
1	96364	Porting Gasket
1	96383	U Cup Packing
4	Y325-10	O Ring
1	Y325-24	O Ring
3	Y325-29	O Ring



PD05A-XXX-XXX-B & PD07A-XXX-XXX:

Use Major Valve Assembly 67418. Valve assembly kit includes the following:

QTY	Part Number	Description
1	93276	Valve Insert
1	94395	U Cup Packing
1	95919	Major Valve Spool
1	95980	Valve Block
1	95982	Large Plug
1	96173	Valve Plate
1	96214-1	Air Manifold Gasket
1	96364	Porting Gasket
1	96383	U Cup Packing
4	Y325-10	O Ring
2	Y325-29	O Ring



PD05R-XXX-XXX-B & PD07R-XXX-XXX:

Use Major Valve Assembly 67422. Valve assembly kit includes the following:

QTY	Part Number	Description
1	93276	Valve Insert
1	94395	U Cup Packing
1	95919	Major Valve Spool
1	96173	Valve Plate
1	96204	Valve Block
1	96214-1	Air Manifold Gasket
1	96352	Large Plug
1	96353	Small Plug
1	96364	Porting Gasket
1	96383	U Cup Packing
4	Y325-10	O Ring
1	Y325-24	O Ring
3	Y325-29	O Ring

66605X-XXX:

Use Major Valve Assembly 66362. Valve assembly kit includes the following:

QTY	Part Number	Description
1	93086	Plug
1	93085	Spool
1	93276	Valve Insert
1	93275	Valve Plate
1	96383	U Cup
1	93090	Valve Block
1	Y325-125	O Ring
1	94395	U Cup Packing
1	93339-1	Gasket