

Accessories for ARO 2-Post Rams

1.) Pump Stabilizing Bracket Kits

Offer support for an ARO Chop Check pumps mounted on a 2-post ram.

66354-1: for 4-1/4" and 6" diameter air motors.

Mounting plate attaches to air motor base.

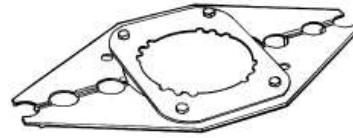
Brackets attach to vertical support rods on ram.

Fasteners included with the kit.

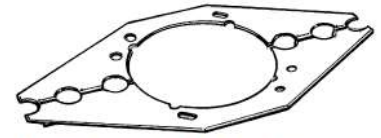
66353-1: for 8", 10" and 12" air motors.

Brackets are attached directly to air motor base. Brackets then attached to vertical support rods of ram. Kit Includes fasteners.

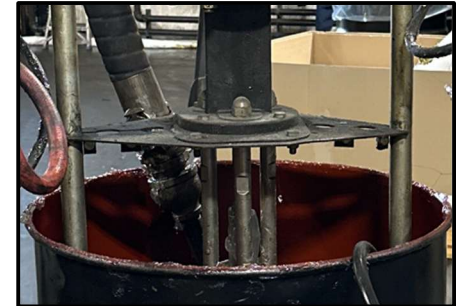
Image at right shows base of a 6" air motor. Mounting plate will be attached to the motor base. Brackets then attached to plate and vertical support rods.



66354-1 for 4-1/4", 6" Motors



66353-1 for 8", 10", 12" Motors

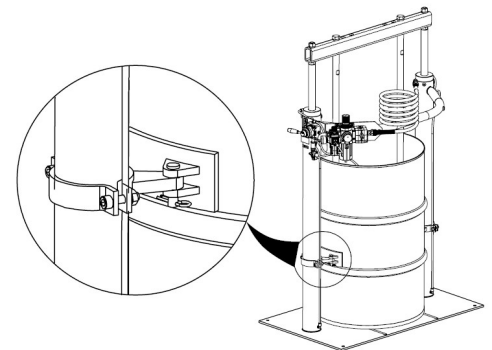


2.) Drum Hold Down Kits.

Prevent the drum from lifting during change-over. Brackets attach to ram cylinders. Should be placed just above the bottom rim of the drum. As the pump is lifted out of the drum, the Hold-Down kits help keep the drum in place.

67503 Kit: For use with the RM552S-XXX-XX Ram.

67504 Kit: For use with the RM552H-XXX-XX Ram.

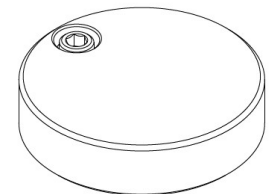


67503 on RM552S-XXX-XX Ram

3.) Drum Stop Kit:

Properly aligns drum under pump. Attach stop kit to ram base. Prevents drum from being pushed too far under pump. Will help prevent wear to follower plate seals and helps pump remove as much material from drum as possible.

67517 Kit: used with the RM552S-X-X and RM552H-X-X two post rams.



67517 Drum Stop Kit